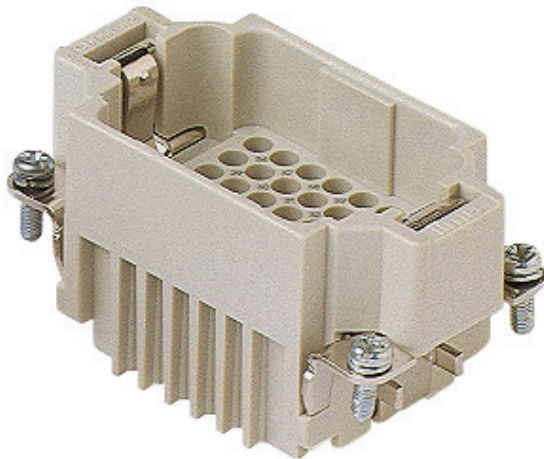


Part number

CDDM 42



Brief description:

male insert, 42 poles + PE, crimp connections, 10A 250V, 4kV, 2, size "57.27", CLASS insert series

Product description	
Model	male insert
Version	crimp connections
Series	CDD
Product type	for male contacts 10A
Family	CLASS inserts
Size	size "57.27"
N. of poles	42 poles +
Technical data	
Current	10 A
Voltage	250 V
Rated impulse withstand voltage	4kV
Pollution degree	2
Operating temperature range (min, max)	-50°C ... +70°C
Mating cycles	≥ 200
IP degree of protection	IP20 without enclosure; IP65/IP66/IP67/IP68 with enclosure
PE connection type	Screw
PE terminal stripping length	7 mm
PE wire cross-section	0,14 - 4 mm ² ; AWG 20 - 12
Tightening torque for PE connection	M4: 1,2 Nm, 10,6 lb.in (Ph2 or 1.0x5,5mm)
Further technical details	
Characteristics according to EN 61984	10A 250V 4kV 2
Insulation resistance	≥ 1 GΩ
Contact resistance	≤ 3 mΩ
Rated voltage according to UL/CSA	600V
UL 94 flammability rating	V-0
Tightening torque for fixing screws	M3: 0.5 Nm; 4.4 lb.in (Ph1 or 0.8x4 mm)
Weight	45,00 g

Approvals / Standards	
Reference standard	EN 61984 (2001-11)
Quality mark	EAC
Conformity	CQC, CE
General ordering information	
EAN13 code	8015747014113
Tariff number	85369095
Country of origin	Made in EU (IT)
ETIM classification	EC000438
Packaging Information	
Packaging length	210,00 mm
Packaging height	130,00 mm
Packaging width	240,00 mm
Packaging weight	2,00 kg
Packaging volume	6,55 dm ³
Packaging description	Carton box
Packaging quantity	30 Pcs
Packaging EAN code	8015747014120
Sub-packaging weight	0,33 kg
Sub-packaging description	Carton
Sub-packaging quantity	5 Pcs
Sub-packaging EAN barcode	8015747014137

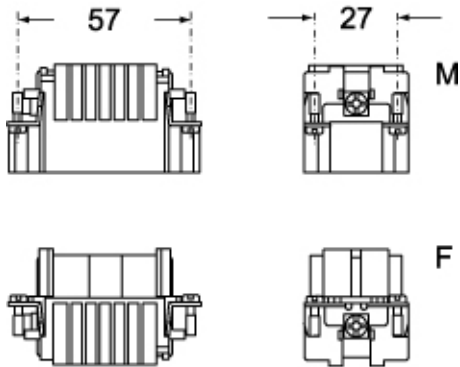
Part number

CDDM 42

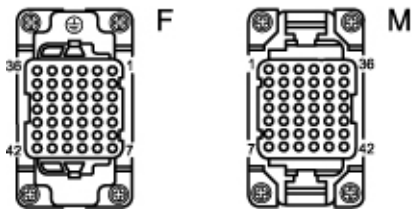


Catalogue drawings

CDDM 42



CDDF 42



Catalogue drawings

